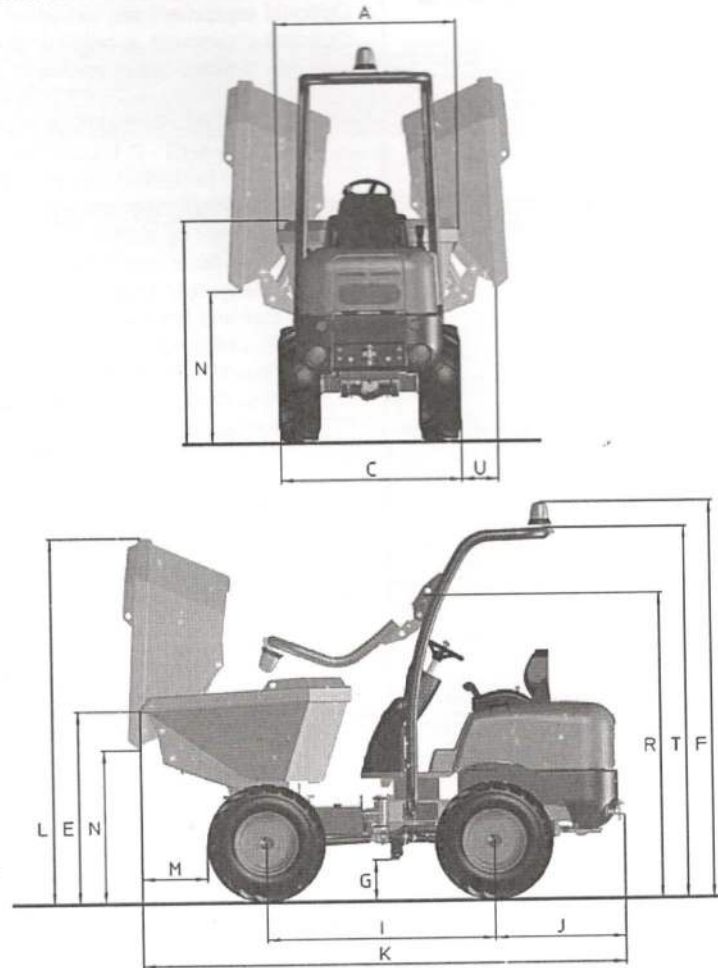




## Specifications

### Machine measurements



Dimensions (mm)	D100AHA / D100AHA Compact	D100AHG	D120AHA	D120AHG	D150AHA	D150AHG
A	990	990	1180	1190	1395	1390
B	1440	1420	1490	1470	1490	1475
C	1100 / 990	1100	1200	1195	1480	1470
E	1200	1200	1255	1255	1265	1260
F	2560	2560	2610	2610	2610	2560
G	220	220	270	270	265	250
I	1500	1500	1500	1500	1500	1600
J	860	860	860	860	860	860
K	3190	3190	3190	3190	3180	3245
L	2250	2350	2300	2400	2300	2500
M	485	485	460	450	420	450
N	955	955	1000	1000	1000	1010
O	2145	-	2195	-	2195	-
P	2950	-	3000	-	3000	-
Q	-	-	-	-	-	-
R	1955	1955	2000	2000	2005	1990
S	1655	-	1710	-	1705	-
T	2390	2390	2440	2440	2440	2425
U	-	300	-	260	-	115