

### Standard Equipment & Options

Standard Equipment	Optional Equipment
Folding ROPS Frame	Site Lights
Reversing Alarm	Road Lights (RTA)
Flashing Beacon	Rear View Mirror
Towing Bracket	Fixed ROPS
	Special Paint
	CESAR
	Kosran Immobiliser
	Data Tags
	Leg Guard

Dealer

Effective Date: 01 January 2009. Product specifications and prices are subject to change without notice or obligation. The photographs and/or drawings in this document are for illustrative purposes only. Refer to the appropriate Operator's Manual for instructions on the proper use of this equipment. Failure to follow the appropriate Operator's Manual when using our equipment or to otherwise act irresponsibly may result in serious injury or death. The only warranty applicable to our equipment is the standard written warranty applicable to the particular product and sale and Terex makes no other warranty, express or implied. Products and services listed may be trademarks, service marks or trade-names of Terex Corporation and/or its subsidiaries in the USA and other countries. All rights are reserved. Terex® is a registered trademark of Terex Corporation in the USA and many other countries. © 2009 Terex Corporation. ♻️ Printed on material using 55% recycled fibre from both pre and post-consumer sources, together with 45% virgin ECF fibre from sustainable forests. DS TA910 0209-EN

Terex United Kingdom Limited  
 Central Boulevard, ProLogis Park, Coventry, England CV6 4BX  
 Tel +44 (0) 2476 339400 Fax +44 (0) 2476 339500  
 Email cov.enquiries@terex.com www.terex.co.uk

### HEAVY POWER TIP SITE DUMPERS



#### TA9 TA10

##### Specification

Payload	9000 kg / 10000 kg
Gross Engine Power	74.5 kW (99 hp)
Max Skip Capacity	4560 - 5050 Litres

##### Features

- True Operating Capacities of 9 and 10 tonnes.
- Large heaped skip capacities of 4560 and 5050 litres.
- "Rental Tough" designs and fabrications to keep you working in the toughest of conditions.
- 8mm thick steel skip base plate with reinforced box sections for high strength and longevity.
- Exceptional service access and ease of maintenance built into every machine.
- High ground clearance, low centre of gravity for superb stability and site accessibility.
- Powershuttle transmissions for ease of use and operator comfort.
- Powerful, reliable and economical Perkins engine.

**Specifications**

Performance		
	TA9	TA10
Payload (kg)	9000	10000
Unladen Weight (kg)	4880	5300
Skip Capacity - Water (ltr)	2360	2490
- Struck (ltr)	4065	4140
- Heaped (ltr)	4560	5050
Engine	Perkins 1104D-44T	
- Gross Power - kW (hp)	74.5 (100hp) at 2200rpm	
- Capacity	4.4 litres (4400 cc)	
- Maximum Torque	393 Nm at 1400rpm	
Tyre Size	500/60x22.5x16ply High Floatation	
Drive	4/4 Powershuttle with Torque Converter - permanent 4WD	
Max Travel Speed - mph (kph)	17.4 (28.0)	17.4 (28.0)
Gradeability	20%	20%
Fuel Tank Capacity	64 litres	64 litres
Hydraulic Tank Capacity	51 litres	51 litres

**Hydraulic System (Gear Pump)**

	TA9	TA10
Flow rate	60 l/min	60 l/min
Operating Pressure	172 bar	200 bar

**Braking System**

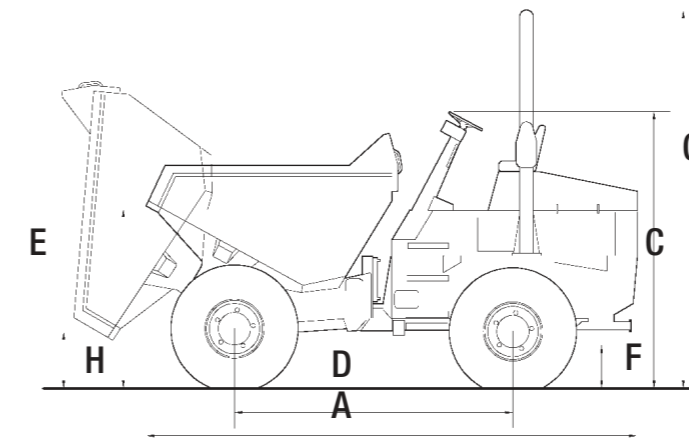
	TA9	TA10
Working Brake	Foot brake - oil immersed discs on front/rear	
Parking Brake	Over centre parking brake - dry disc (gearbox)	Over centre parking brake - dry disc (gearbox)

**Electrical System**

	TA9	TA10
Voltage	12 V	12V
Battery	100 Ah	100 Ah
Alternator	95 A	95 A

**Dimensions**

B = Overall Width (not shown)


**Dimensions (mm)**

		TA9	TA10
A	Total Length	4330	4420
B	Total Width (not shown)	2500	2550
C	Height to Top of Steering Wheel	2530	2630
D	Wheelbase	2450	2450
E	Height to Front Lip of Skip (untipped)	1722	1760
F	Ground Clearance	410	410
G	Height to Top of ROPS (raised)	3342	3375
H	Height to Front Lip of Skip (tipped)	430	440
	Turning Radius to Outside of Skip	6000 mm	6017 mm
	Steering Angle	+/- 30°	+/- 30°
	Oscillation	+/- 10°	+/- 10°